



NOBLELIFT NORTH AMERICA CORP

Add: 2461 S Wolf Road
Des Plaines, IL 60018
Tel: 001-847-595-7100
Fax: 001-847-595-7200
Email: sales@nobleliftna.com
Http: www.nobleliftna.com

NOBLELIFT EUROPE GMBH

Add: Borsigstrasse
9-93082 Barbing Germany
Tel: +49 9401 607930
Fax: +49 9401 6079329
Email: mail@noblelift-europe.com
Http: www.noblelift-europe.com

NOBLELIFT RUSSIA

ООО «Ноблелифт Рус»
194292, Санкт-Петербург
Домостроительная ул. 4А офис 301
Тел.: +7-800-700-28-97
Email: sales@noblelift.com.ru
Http: www.noblelift.com.ru

OPX 15

Very Narrow Aisle(VNA) Forklift Truck

Product Features:

- Powerful high quality AC drive system
- Finger-tip hydraulic control
- EPS-Electric Power Steering system
- Electronic multiple-way valve
- Multi-function Display: parking brake, the driving direction and speed, the hour meter and the fault code
- Big capacity battery
- 1700mm aisle width
- High suspension seat
- German ZF gearbox
- Adjustable steering wheel
- Side extraction battery
- Optional magnetic navigation



NOBLELIFT CHINA

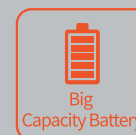
Add: #528 Changzhou Road, Taihu Sub-district, Changxing, 313100, China
TEL: 4008-836115 0572-6210793
FAX: 0572-6212851
WEB: www.noblelift.com
Email: info@noblelift.com



Official website



Our Wechat



Big Capacity Battery



Robust Design



Efficient Operation



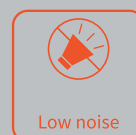
High Cost Effective



Capacity 1500Kg



Easy Maintenance



Low noise

NEW *Noblelift Products*
ARRIVAL

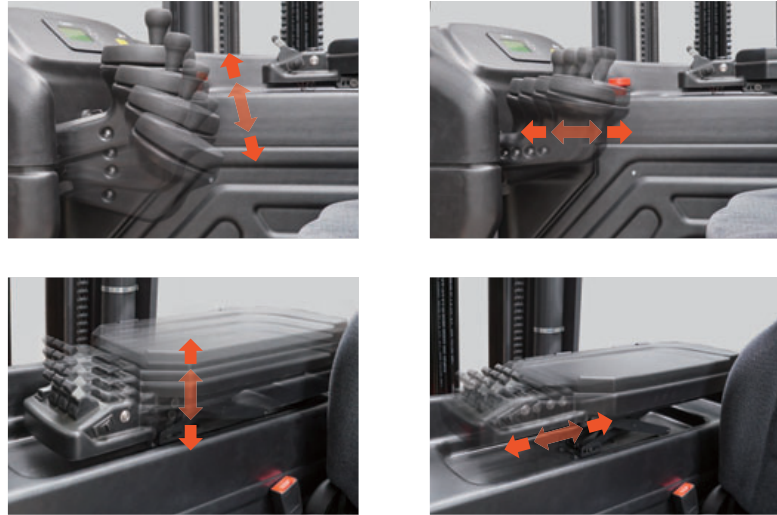
OPX15 Very Narrow Aisle(VNA) Forklift Truck

The OPX15 Sit-on Very Narrow Aisle(VNA) Forklift Truck has excellent performance and configuration. And it has the advantages of high lifting height, intelligence, safety and reliability and more. It is especially suitable for loading, unloading and stacking pallet goods for very aisle applications. It is your ideal choice for storing large goods with maximum productivity in high-density warehousing.

Accurate and convenient operation



It has the centralized central control console, so you can use your fingertip to operate, and is very convenient and accurate. The high-speed lifting and lowering control will improve the operational efficiency.



The steering wheel and central control console can be adjusted freely in all directions to suit your best operation.

Spacious and comfortable space



The spacious driving space and foot space, and the ergonomic layout, they all embody the user-friendly design of the truck. It allows any operator to find a comfortable position and ensures adequate comfort for operation throughout the shift work.

The high suspension seat greatly reduces the vibration transmission to the driver. At the same time with the automobile-type bionic curved backrest, it can effectively reduce the driver's driving fatigue. The seat can be adjusted to meet the needs of operators of different heights and shapes.



High efficiency energy saving and low noise



The multi-function color LCD instrument can display the steering wheel position, battery power, power alarm, fault code, working time and driving speed and other information.



The large capacity battery can meet long time and multiple shifts, and the side-way battery replacement greatly reduces the maintenance time.

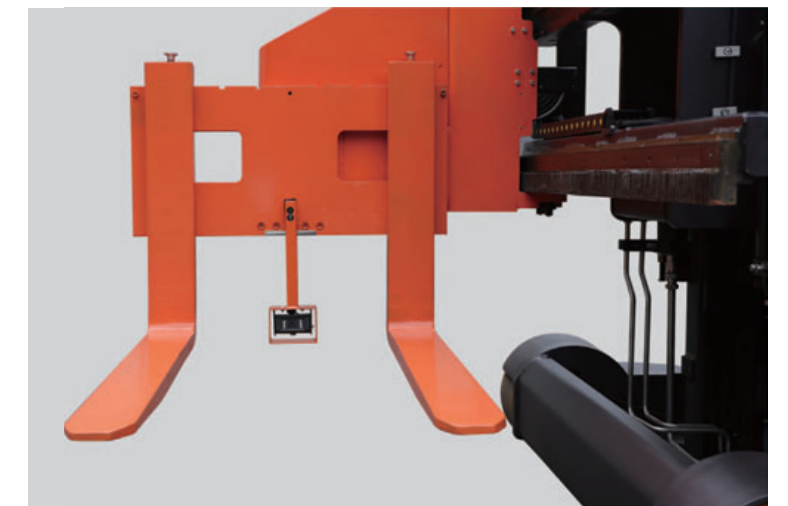


The low noise gear pump can reduce the lifting noise. The truck adopts the brand moving motor controller, oil pump motor controller and steering motor controller, so it has the characteristics of self-protection, maintenance-free, and superior performance.

Strong chassis and great visibility



The layout of lifting cylinder and pipeline system is optimized, and the pipeline of the door frame is simple and beautiful, and the vision is excellent.



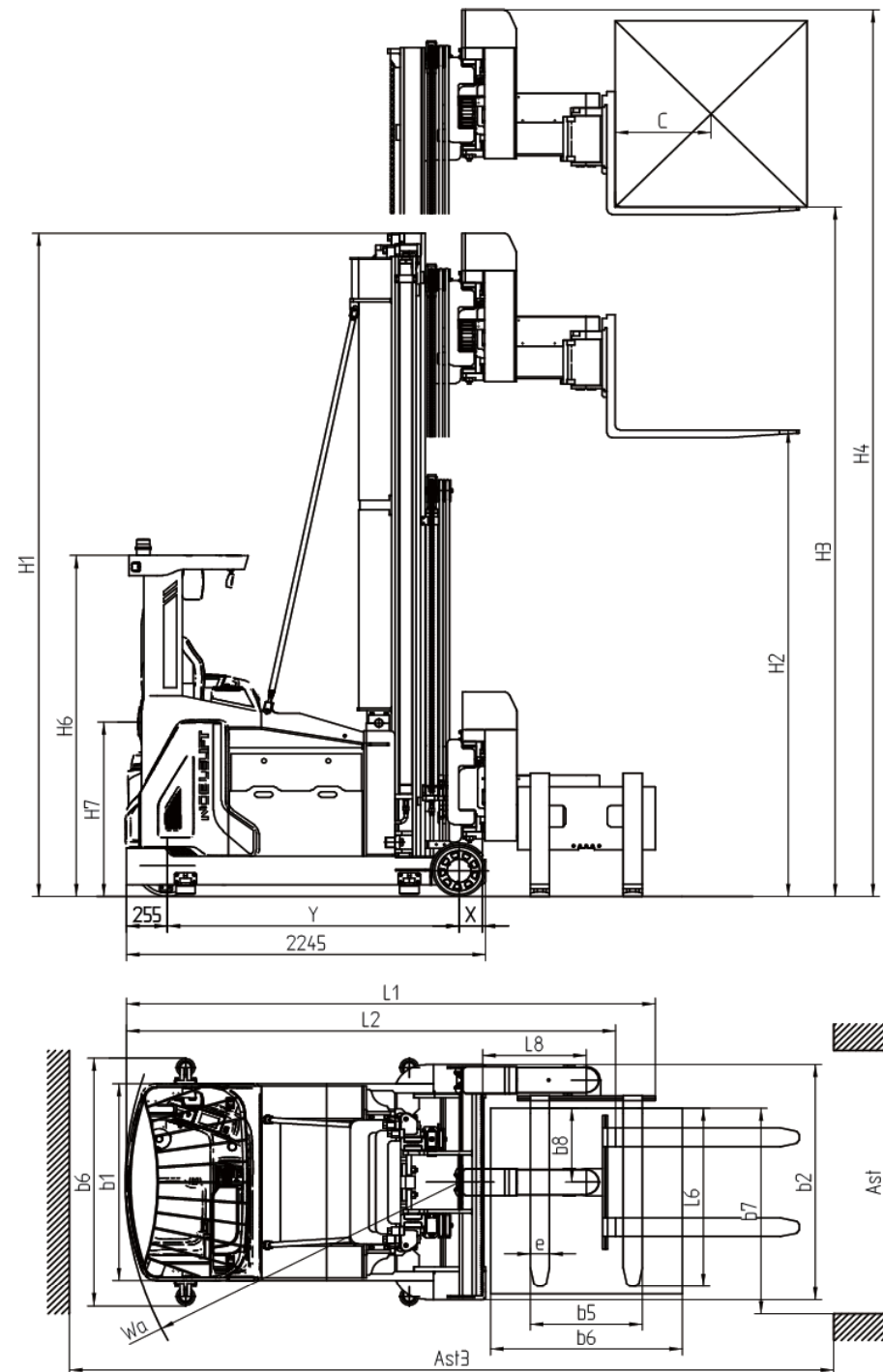
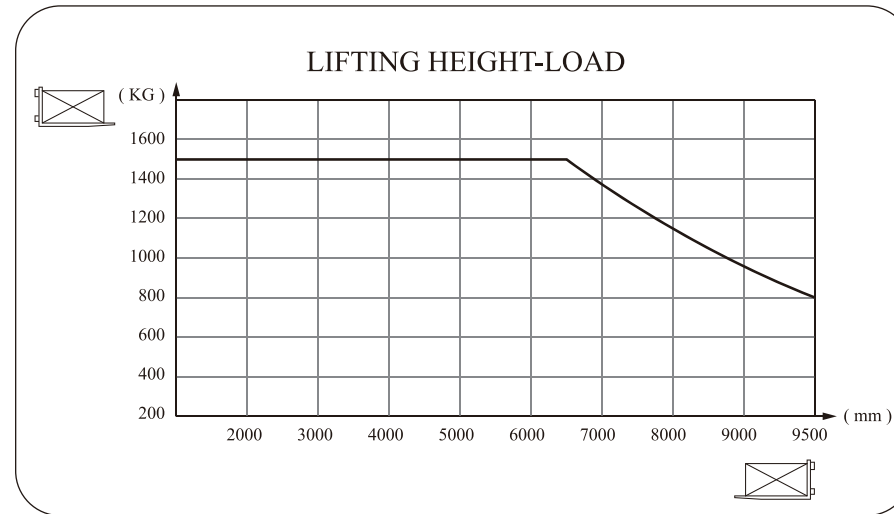
The strong chassis structure and reasonable center of mass distribution make the truck with excellent stability. The high precision transverse slide rail and excellent gap compensation design make transverse slide more stable. The height limit function ensures that when the forklift reaches the maximum height, the lifting power will automatically cut off, so as to ensure the safety of lifting. The speed limit control for turning can keep the truck from tipping over, so as to ensure the safety of forklift turning.



The double - screen and three - camera high-definition monitoring system can monitor the situation of cargo stacking in real time.



Type sheet for industrial truck acc. to VDI 2198



Identification

1.1	Manufacturer		NOBLELIFT
1.2	Manufacturer's type designation		OPX15
1.3	Drive (electric – battery or mains, diesel, petrol, fuel gas, manual)		Electric
1.4	Type of operation (hand, pedestrian, standing, seated, order picker)		tri-lateral stacker
1.5	Load capacity / rated load	Q (kg)	1500
1.6	Load centre distance	c (mm)	600
1.8	Load distance, centre of drive axle to fork	x (mm)	146
1.9	Wheelbase	y (mm)	1820
1.10	Centre drive wheel/Counter weight	z (mm)	255

Weights

2.1	Service weight incl. battery (see line 6.5)	kg	6300
2.3	Axle loading, laden front / rear	kg	6080 / 2170
2.4	Axle loading, unladen front / rear	kg	3930 / 2820

Wheels, Chassis

3.1	Tyres (solid rubber, superelastic, pneumatic, polyurethane)		PU
3.2	Tyre size, front	Øxw (mm)	Ø 330 x178
3.3	Tyre size, rear	Øxw (mm)	Ø 400 x 152
3.5	Wheels, number front / rear (x = driven wheels)		2/1x
3.6	Track width, front	b10 (mm)	1342

Basic Dimensions

4.2	Lowered mast height	h1 (mm)	2950/3280/3620/3950/4280
4.3	Free lift	h2 (mm)	1680/2010/2350/2680/3010
4.4	Lift height	h3 (mm)	5500/6500/7500/8500/9500
4.5	Extended mast height	h4 (mm)	6770/7770/8770/9770/10770
4.7	Overhead load guard (cab) height	h6 (mm)	2200
4.8	Seat height / standing height	h7 (mm)	1120
4.19	Overall length (unladen)	L1 (mm)	3306
4.20	Length to face of forks	L2 (mm)	3060
4.21	Overall width	b1/b2 (mm)	1270/1520
4.22	Fork dimensions	s/e/l (mm)	40/120/950
4.23	Fork carriage ISO 2328, class / type A, B		2/A
4.24	Fork carriage width	b3 (mm)	860
4.25	Width over forks	b5 (mm)	830
4.27	Width across guide roller	b6 (mm)	1600
4.29	Reach, lateral	b7 (mm)	1320
4.31	Ground clearance, laden, under mast	m1 (mm)	75
4.32	Ground clearance, centre of wheelbase	m2 (mm)	75
4.33	Aisle width for pallets 1200 x 800	Ast (mm)	1700
4.35	Turning radius	Wa (mm)	2100
4.42	Pallet width	b12 (mm)	1200
4.43	Pallet length	l6 (mm)	800/1200

Performance Data

5.1	Travel speed, laden / unladen	km/h	8 / 8.5
5.2	Lift speed, laden / unladen	mm/s	200 / 300
5.3	Lowering speed, laden / unladen	mm/s	400 / 400
5.4	Reach speed, laden / unladen	mm/s	150 / 150
5.10	Service brake		regenerative / hydraulic
5.11	Parking brake		electric spring-loaded

E-Motor

6.1	Drive motor rating S2 60 min	kW	7
6.2	Lift motor rating at S3 15%	kW	12.5
6.3	Battery acc. to DIN 43531 /35 / 36 A, B, C, no		9PZS900
6.4	Battery voltage, nominal capacity K5	V/Ah	48V/900Ah
6.5	Battery weight	kg	1550

Others

8.1	Type of drive control		AC power control
8.4	Sound level at driver's ear according to EN 12 053 dB (A)	dB(A)	70
8.6	Steering	dB(A)	electric